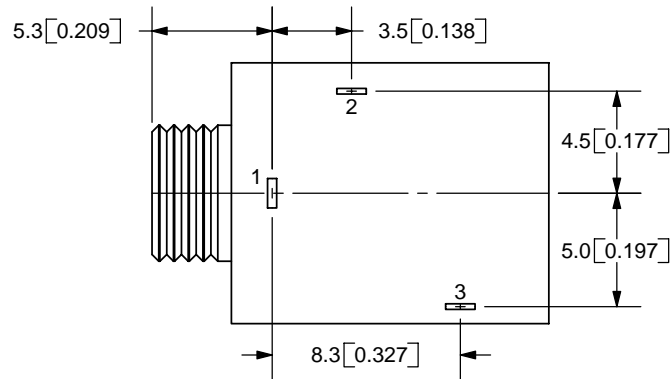
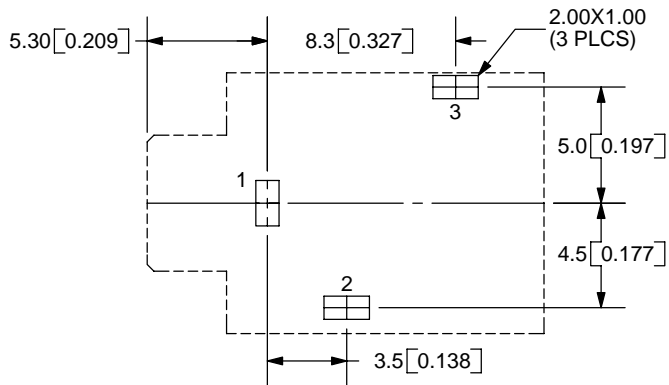
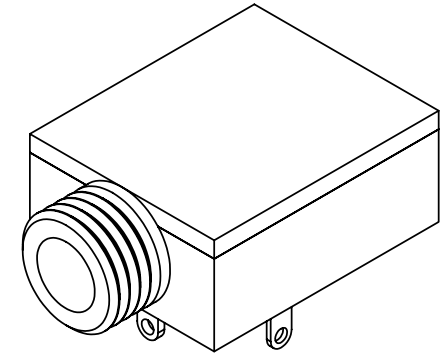
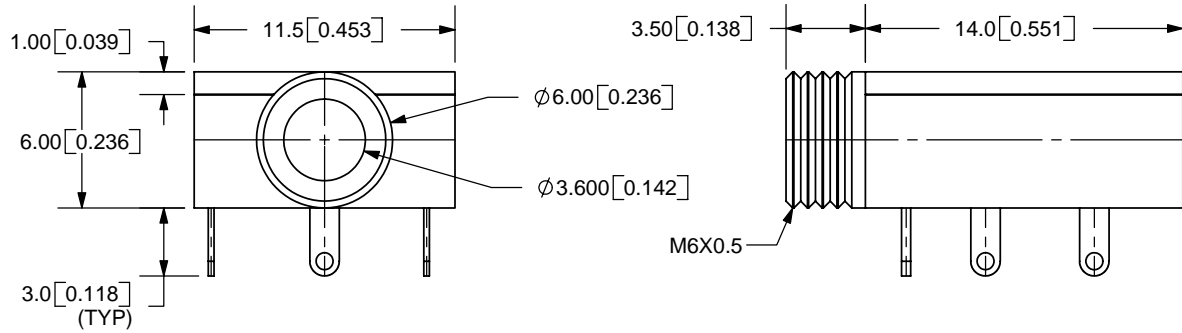


| | | |
|------|-------------|----------|
| REV. | DESCRIPTION | DATE |
| A | NEW DRAWING | 9/6/2006 |



TOLERANCE:
X.X ±0.2mm
X.XX ±0.1mm
X.XXX ±0.05mm



PCB LAYOUT
TOP VIEW

| | |
|-----------|----------|
| MODEL NO. | SJ1-3513 |
| DIA. | THREADED |
| | M6X0.5 |
| SCHEMATIC | |
| | |
| | |

SPECIFICATIONS:
RATING: 12V DC @ 1A
CONTACT RESISTANCE: 30m OHMS MAX
INSULATION RESISTANCE: 50M OHMS MIN: 500V DC
VOLTAGE WITHSTAND: 500V AC R.M.S. FOR 1 MINUTE
LIFE: 5,000 CYCLES

| | MATERIAL | PLATING |
|------------|-----------------|---------|
| TERMINAL 1 | Brass | Tin |
| TERMINAL 2 | Brass | Tin |
| TERMINAL 3 | Brass | Tin |
| BUSHING | Brass | Tin |
| HOUSING | PBT | |
| COVER | PC Transparent | |
| SPRING | Stainless Steel | |



20050 SW 112th Ave.
Tualatin, OR 97062
Phone: 503-643-4899
800-275-4899
Fax: 503-372-1266
Website: www.cui.com

| | | | |
|-----------|-------------------------------|--------------|-------------|
| TITLE: | 3.5mm RIGHT ANGLE STEREO JACK | REV: | A |
| PART NO. | SJ1-3513 | UNITS: | MM [INCHES] |
| DRAWN BY: | ZRJ | APPROVED BY: | |
| | | SCALE: | 3:1 |

PC FILE NAME:
SJ1-3513

COPYRIGHT 2006 BY CUI INC.